

Tina Berghella, Oggi Consulting

Measurement skills for work

Activity

Measure and record the height of a matchbox



Representation

15.0 mm ± 0.25 mm

Quantity

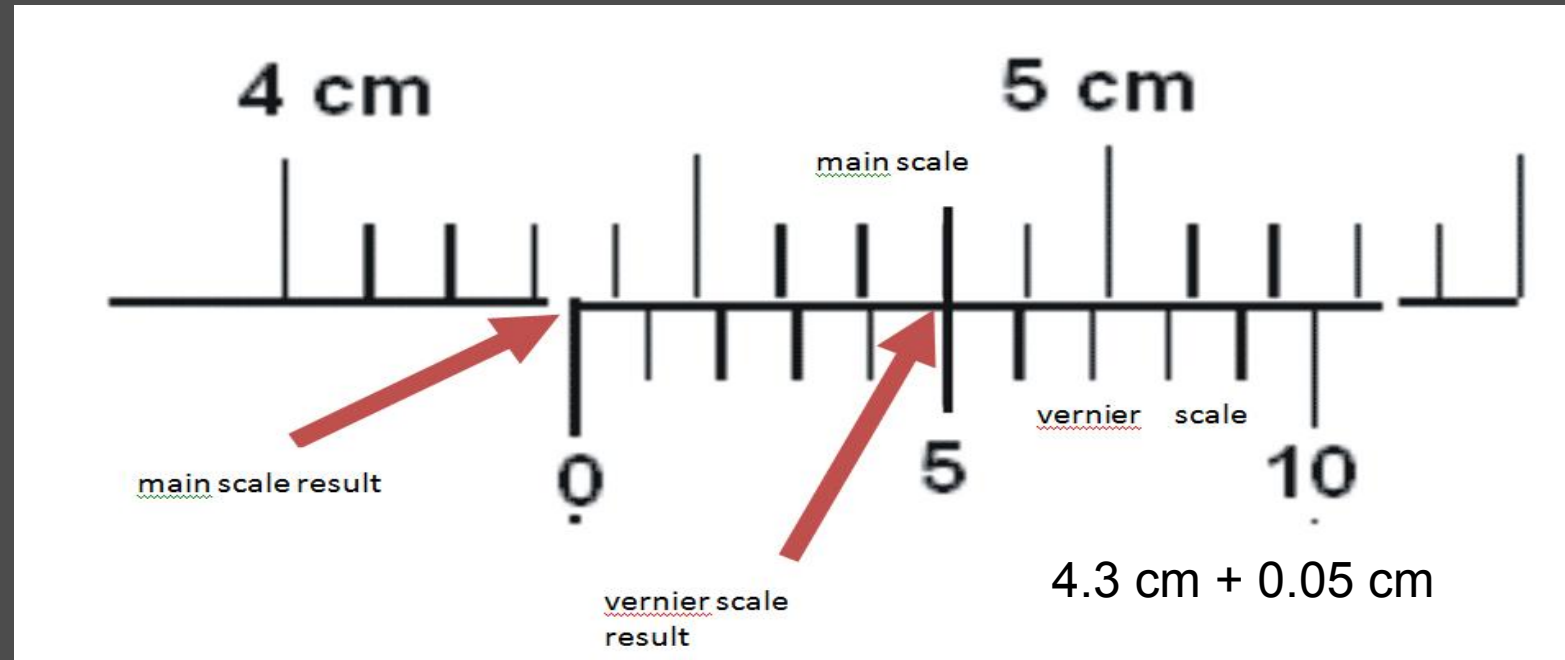
Unit of measurement

Uncertainty

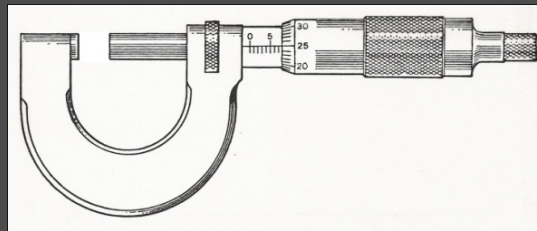
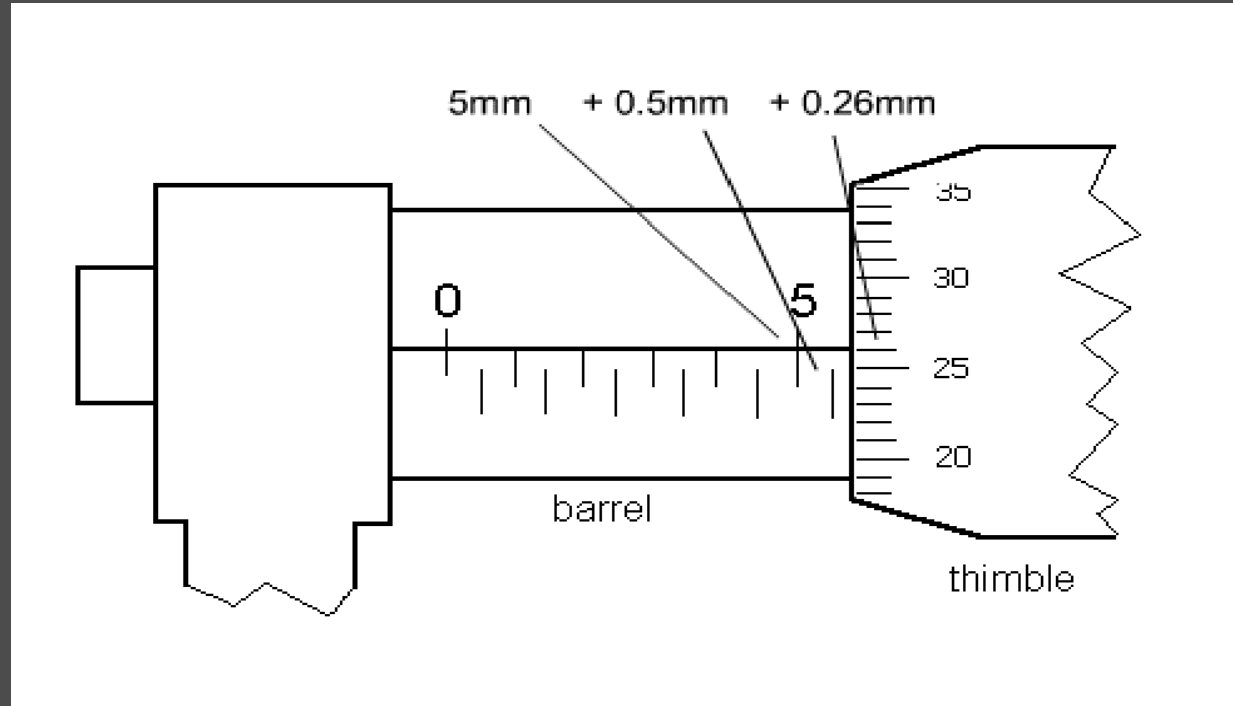
Measured value: 15.0 mm

True value: 14.75 mm to 15.25 mm

Vernier caliper



Micrometer caliper



Options

Level of support

Object to be measured

Type of instrument

Type of readout

Measurement system

Linear dimensions

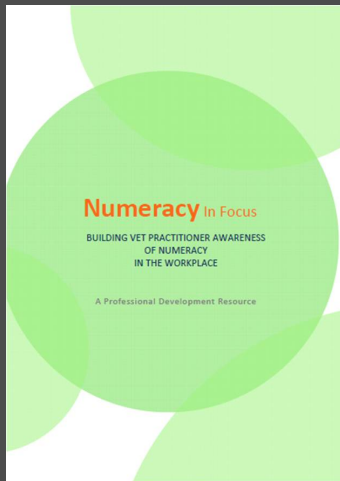
- **Length**
- **Width**
- **Depth**
- **Thickness**
- **Height**
- **Internal diameter**
- **External diameter**

Calculations

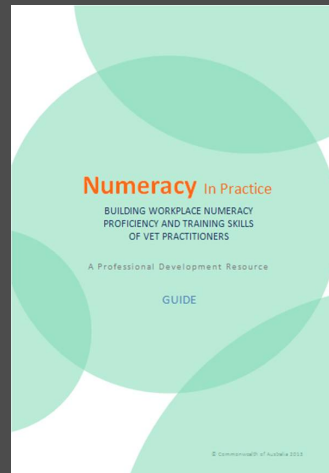
- **Average**
- **Range**
- **Area**
- **Surface area**
- **Volume**
- **Perimeter**
- **Circumference**
- **Radius**
- **Metric conversion**
- **Non metric conversion**
- **Uncertainty**

Resources

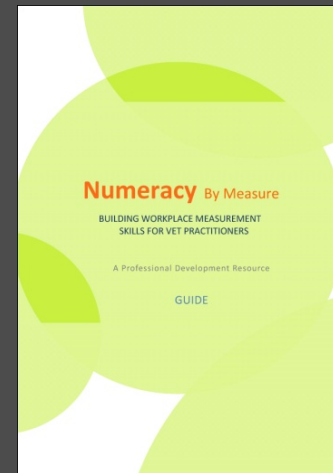
Tina Berghella, Oggi Consulting
www.oggiconsulting.com.au
tina@oggiconsulting.com.au
(03) 9774 3938



Numeracy in
Focus



Numeracy in
Practice



Numeracy by
Measure